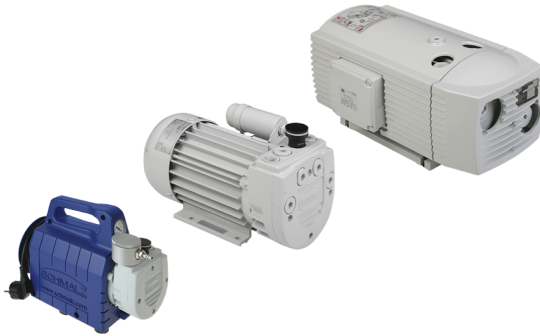


Dry-Running Vacuum Pumps EVE-TR

Suction rate from 2 m³/h to 350 m³/h



Dry-Running Vacuum Pumps EVE-TR

Design

- Dry-running vacuum pump, with or without additional filter
- Available in versions for single phase AC, three phase AC or DC power supplies
- Available as a multi cell compressor with very little vibration and constant output or as a compact diaphragm pump
- Compact design with integrated cooling fan and permanently lubricated bearings
- Mounting holes with integrated damping elements
- To be preferably mounted with the motor shaft horizontal

Suitability for industry specific applications

Application

- Vacuum pump for universal use in a wide range of different applications in the sector of automatic and manual handling
- Handling of airtight workpieces
- Rapid evacuation of vacuum systems
- Mobile use for picking up and clamping workpieces (EVE-TR-T)

Product highlights

- Robust, low-maintenance vacuum pump in dry-running design
- Multi-cell compressor principle guarantees vibration-free operation and low-pulsation, continuous output
- Excellent heat dissipation thanks to permanently lubricated bearings and powerful cooling fan
- Individually adjustable suction flow rate for optimized air consumption and a wide range of applications
- Low power consumption for economical continuous operation

 Designation code Dry-Running Vacuum Pumps EVE-TR

Dry-Running Vacuum Pumps EVE-TR

Suction rate from 2 m³/h to 350 m³/h



1 – Abbreviated designation

Code	Version
EVE	EVE

2 – Pump type

Code	Type
TR	Dry-running
TR-M	Diaphragm pump
TR-T	Transportable

3 – Performance class

Code	Suction rate in m ³ /h
2.3...250	2.3 to 250

4 – Supply voltage

Code	Type
AC	Single phase
AC3	Three phase
DC	Direct current
12V-DC	
24V-DC	

5 – Motor type

Code	Region
IE3-TYP1	EU/CN/IND
IE3-TYP2	US/CAN

6 – Product addition

Code	Type
F	Additional filter





The vacuum pump EVE-TR comes ready to connect.

Available spare parts: Filter insert, wearing part set
 Available accessories: Vacuum limiter valve

Dry-Running Vacuum Pumps EVE-TR

Suction rate from 2 m³/h to 350 m³/h

Ordering data Dry-Running Vacuum Pumps EVE-TR

Type	Part no.
EVE-TR-M 2.3 12V-DC	10.03.01.00195
EVE-TR-M 2.3 24V-DC	10.03.01.00192
EVE-TR 4 AC IE3-TYP1	10.03.01.00869
EVE-TR 4 AC F	10.03.01.00114
EVE-TR 4 AC3	10.03.01.00832
EVE-TR 4 AC3 IE2-TYP1	10.03.01.00705 
EVE-TR-T 4 AC F	10.03.01.00197
EVE-TR 8 AC	10.03.01.00121 
EVE-TR 8 AC	10.03.01.00106
EVE-TR 8 AC F	10.03.01.00117
EVE-TR 8 AC3	10.03.01.00762
EVE-TR 8 AC3 IE2-TYP1	10.03.01.00710 
EVE-TR 8 AC3 IE2-TYP1 F	10.03.01.00812
EVE-TR 8 DC	10.03.01.00288 
EVE-TR 8 24V-DC F	10.03.01.00401
EVE-TR 10 AC	10.03.01.00138
EVE-TR 10 AC F	10.03.01.00144
EVE-TR 10 AC3	10.03.01.00137
EVE-TR 10 AC3 F	10.03.01.00143
EVE-TR 16 AC	10.03.01.00140
EVE-TR 16 AC F	10.03.01.00146
EVE-TR 16 AC3	10.03.01.00139
EVE-TR 16 AC3 F	10.03.01.00145

Type	Part no.
EVE-TR 25 AC	10.03.01.00185
EVE-TR 25 AC3	10.03.01.00141
EVE-TR 25 AC3 F	10.03.01.00147
EVE-TR 25 AC3 IE3-TYP2	10.03.01.00349
EVE-TR 25 AC3 IE3-TYP2 F	10.03.01.00353
EVE-TR 25 AC3 IE3-TYP4	10.03.01.00530
EVE-TR 40 AC3	10.03.01.00142
EVE-TR 40 AC3 F	10.03.01.00148
EVE-TR 40 AC3 IE3-TYP2	10.03.01.00350
EVE-TR 40 AC3 IE3-TYP2 F	10.03.01.00354
EVE-TR 40 AC3 IE3-TYP4	10.03.01.00531
EVE-TR 60 AC3 IE3-TYP1	10.03.01.00319
EVE-TR 60 AC3 IE3-TYP1 F	10.03.01.00335
EVE-TR 60 AC3 IE3-TYP2	10.03.01.00320
EVE-TR 60 AC3 IE3-TYP2 F	10.03.01.00336
EVE-TR 60 AC3 IE3-TYP3	10.03.01.00389
EVE-TR 60 AC3 IE3-TYP3 F	10.03.01.00427
EVE-TR 80 AC3 IE3-TYP1	10.03.01.00321
EVE-TR 80 AC3 IE3-TYP1 F	10.03.01.00337
EVE-TR 80 AC3 IE3-TYP2	10.03.01.00322
EVE-TR 80 AC3 IE3-TYP2 F	10.03.01.00338
EVE-TR 80 AC3 IE3-TYP3	10.03.01.00381
EVE-TR 80 AC3 IE3-TYP3 F	10.03.01.00382
EVE-TR 80 AC3 IE3-TYP4	10.03.01.00443
EVE-TR 80 AC3 IE3-TYP4 F	10.03.01.00557
EVE-TR 100 AC3 IE3-TYP1	10.03.01.00323
EVE-TR 100 AC3 IE3-TYP1 F	10.03.01.00339
EVE-TR 100 AC3 IE3-TYP2	10.03.01.00324

Dry-Running Vacuum Pumps EVE-TR

Suction rate from 2 m³/h to 350 m³/h

Type	Part no.
EVE-TR 100 AC3 IE3-TYP2 F	10.03.01.00340
EVE-TR 100 AC3 IE3-TYP3	10.03.01.00385
EVE-TR 100 AC3 IE3-TYP3 F	10.03.01.00426
EVE-TR 140 AC3 IE3-TYP1	10.03.01.00325
EVE-TR 140 AC3 IE3-TYP1 F	10.03.01.00341
EVE-TR 140 AC3 IE3-TYP2 VBV	10.03.01.00326
EVE-TR 140 AC3 IE3-TYP2 F	10.03.01.00342
EVE-TR 140 AC3 IE3-TYP3 VBV	10.03.01.00387
EVE-TR 140 AC3 IE3-TYP3 F	10.03.01.00425
EVE-TR 250 AC3 IE3-TYP2 F	10.03.01.00328
EVE-TR 250 AC3 IE3-TYP1 F	10.03.01.00327
EVE-TR 250 AC3 IE3-TYP3 F	10.03.01.00420
EVE-TR 360 AC3 IE3-TYP1 F	10.03.01.00270
EVE-TR 360 AC3 IE3-TYP3 F	10.03.01.00272

Ordering data Spare parts Dry-Running Vacuum Pumps EVE-TR

Type	Spare parts	Part no.
EVE-TR 4	Set of parts subject to wear pump	VST EVE-TR-4 10.03.01.00108
EVE-TR 8	Set of parts subject to wear pump	VST EVE-TR-8 10.03.01.00109
EVE-TR 10	Set of parts subject to wear pump	VST EVE-TR-10 10.03.01.00132
EVE-TR 16	Set of parts subject to wear pump	VST EVE-TR-16 10.03.01.00133
EVE-TR 25	Set of parts subject to wear pump	VST EVE-TR-25 10.03.01.00134
EVE-TR 40	Set of parts subject to wear pump	VST EVE-TR-40 10.03.01.00135
EVE-TR 60	Set of parts subject to wear pump	VST EVE-TR60/TR80 22.09.01.00031
EVE-TR 80	Set of parts subject to wear pump	VST EVE-TR60/TR80 22.09.01.00031
EVE-TR 100	Set of parts subject to wear pump	VST EVE-TR-100 22.09.01.00033
EVE-TR 140	Set of parts subject to wear pump	VST EVE-TR-140 22.09.01.00035
EVE-TR 250	Set of parts subject to wear pump	VST EVE-TR-250 10.03.01.00299

Type	Spare parts	Part no.
EVE-TR 4	Filter insert (round)	FILT-EINS 15 27x23 A2 VF-1/4-Draht 10.07.01.00013
EVE-TR 8	Filter insert (round)	FILT-EINS 50 28x51 PAP VF-3/8 10.07.01.00014
EVE-TR 10	Filter insert (round)	FILT-EINS 3 65x70 PAP STF-3/4-IG 10.07.01.00017
EVE-TR 16	Filter insert (round)	FILT-EINS 3 65x70 PAP STF-3/4-IG 10.07.01.00017
EVE-TR 25	Filter insert (round)	FILT-EINS 3 65x70 PAP STF-3/4-IG 10.07.01.00017
EVE-TR 40	Filter insert (round)	FILT-EINS 3 98x70 PAP STF-1-1/4-IGN 10.07.01.00018
EVE-TR 60	Filter insert (round)	FILT-EINS 3 98x70 PAP STF-1-1/4-IGN 10.07.01.00018
EVE-TR 80	Filter insert (round)	FILT-EINS 3 98x70 PAP STF-1-1/4-IGN 10.07.01.00018
EVE-TR 100	Filter insert (round)	FILT-EINS 3 98x70 PAP STF-1-1/4-IGN 10.07.01.00018
EVE-TR 140	Filter insert (round)	FILT-EINS 3 98x70 PAP STF-1-1/4-IGN 10.07.01.00018
EVE-TR 250	Filter insert (round)	FILT-EINS EVE-TR-250/360 10.03.01.00188

Dry-Running Vacuum Pumps EVE-TR

Suction rate from 2 m³/h to 350 m³/h

Ordering data Accessories Dry-Running Vacuum Pumps EVE-TR

Type		Accessories		Part no.
EVE-TR	4	Vacuum limiter valve	VBV -850...0 G3/8-AG EVE 4-8	10.03.01.00107
EVE-TR	8	Vacuum limiter valve	VBV -850...0 G3/8-AG EVE 4-8	10.03.01.00107
EVE-TR	10	Vacuum limiter valve	VBV -950...0 G1-AG EVE 10-40	10.03.01.00136
EVE-TR	16	Vacuum limiter valve	VBV -950...0 G1-AG EVE 10-40	10.03.01.00136
EVE-TR	25	Vacuum limiter valve	VBV -950...0 G1-AG EVE 10-40	10.03.01.00136
EVE-TR	40	Vacuum limiter valve	VBV -950...0 G1-AG EVE 10-40	10.03.01.00136
EVE-TR	60	Vacuum limiter valve	VBV -950...0 G1-1/4-AG EVE 60-140	10.03.01.00153
EVE-TR	80	Vacuum limiter valve	VBV -950...0 G1-1/4-AG EVE 60-140	10.03.01.00153
EVE-TR	100	Vacuum limiter valve	VBV -950...0 G1-1/4-AG EVE 60-140	10.03.01.00153
EVE-TR	140	Vacuum limiter valve	VBV -950...0 G1-1/4-AG EVE 60-140	10.03.01.00153

Technical data Dry-Running Vacuum Pumps EVE-TR

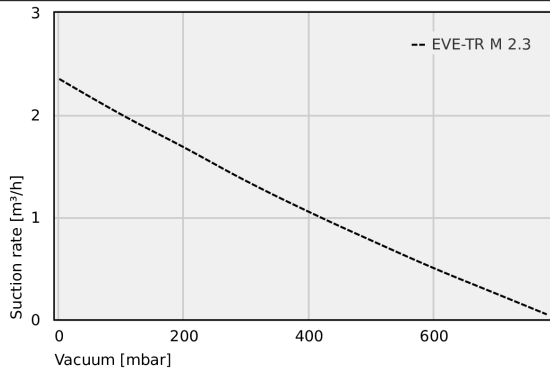
Type*	Vacuum (50 Hz) [mbar]	Suction rate at DC [m ³ /h]	Suction rate (50 Hz) [m ³ /h]	Suction rate (60 Hz) [m ³ /h]	Voltage	Protection type IP	Weight [kg]	Sound pressure level at 50 Hz [dB(A)]
EVE-TR-M 2.3 12V- DC	-	2.0	-	-	12 V - DC	-	2.4	78
EVE-TR-M 2.3 24V- DC	-	2.0	-	-	24 V - DC	-	2.4	72
EVE-TR 4 AC IE3- TYP1	-850	-	4.1	4.7	-	IP 54	7.2	59
EVE-TR 4 AC3	850	-	4.1	4.7	-	IP 54	7.0	59
EVE-TR 4 AC3 IE2- TYP1	-850	-	4.1	4.7	-	IP 54	7.0	59
EVE-TR-T 4 AC F	-	-	4.0	4.7	-	IP 54	8.5	59
EVE-TR 8 AC	-850	-	8.0	9.1	-	IP 54	11.5	58
EVE-TR 8 AC3 IE2- TYP1	-850	-	8.0	9.1	-	IP 54	11.5	58
EVE-TR 8 DC	-	9.7	-	-	-	-	12.0	-
EVE-TR 10 AC	-850	-	10.0	12.0	-	IP 54	16.0	60
EVE-TR 10 AC3	-850	-	10.0	12.0	-	IP 54	16.0	60
EVE-TR 16 AC	-850	-	16.0	19.0	-	IP 54	22.4	61
EVE-TR 16 AC3	-850	-	16.0	19.0	-	IP 54	22.4	61
EVE-TR 25 AC3	-850	-	25.0	30.0	-	IP 55	26.0	62
EVE-TR 40 AC3	-850	-	40.0	48.0	-	IP 55	38.5	67
EVE-TR 60 AC3 IE3- TYP1	-900	-	55.0	66.0	-	IP 55	76.0	71
EVE-TR 80 AC3 IE3- TYP1	-900	-	67.0	78.5	-	IP 55	78.0	72
EVE-TR 100 AC3 IE3-TYP1	-900	-	98.0	112.0	-	IP 55	100.0	75
EVE-TR 140 AC3 IE3-TYP1	-900	-	129.0	154.0	-	IP 55	112.0	76

*Specifications for 230 V / 230 V or 400 V

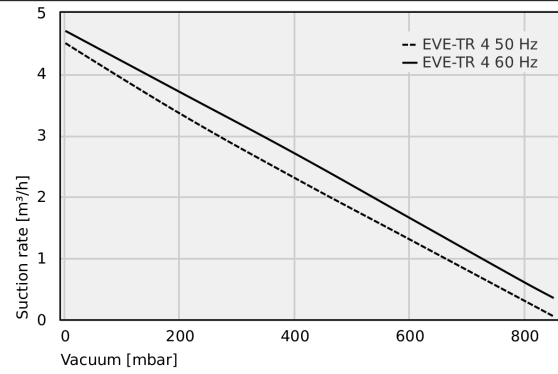
Dry-Running Vacuum Pumps EVE-TR

Suction rate from 2 m³/h to 350 m³/h

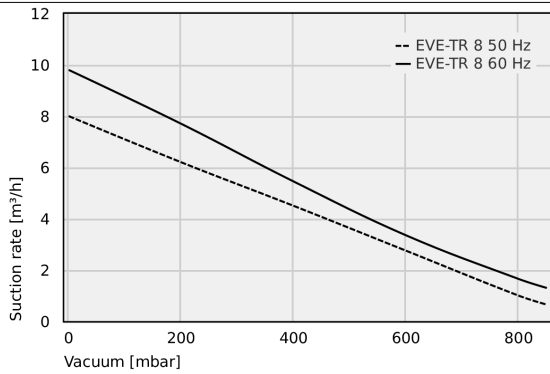
Performance data Dry-Running Vacuum Pumps EVE-TR



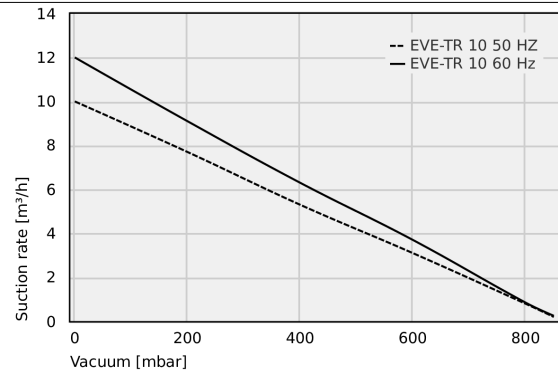
Suction rate at various degrees of evacuation



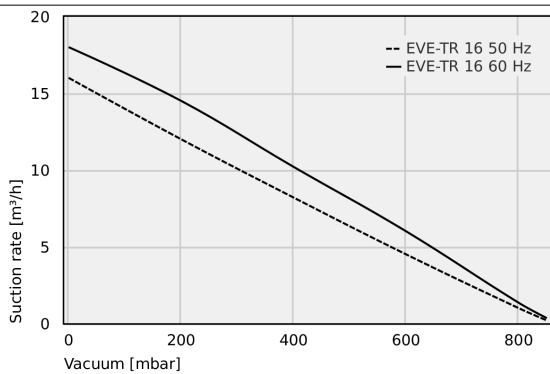
Suction rate at various degrees of evacuation



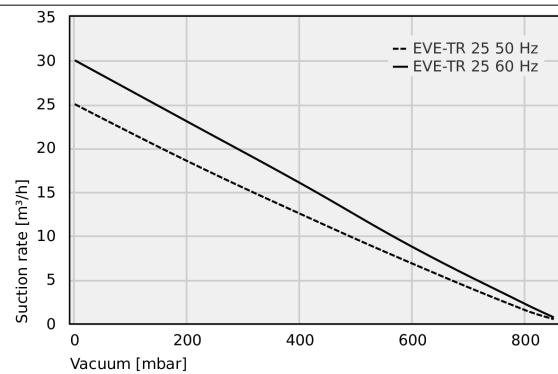
Suction rate at various degrees of evacuation



Suction rate at various degrees of evacuation



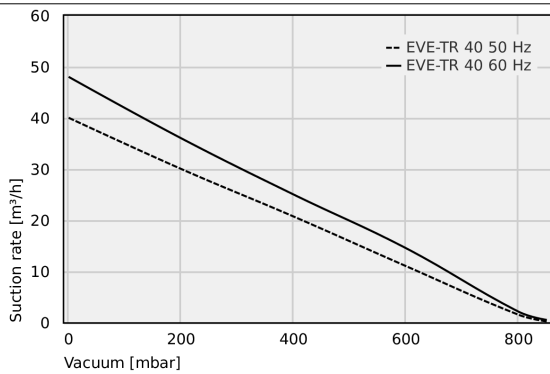
Suction rate at various degrees of evacuation



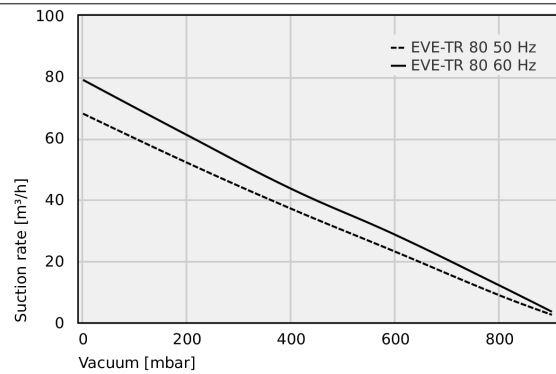
Suction rate at various degrees of evacuation

Dry-Running Vacuum Pumps EVE-TR

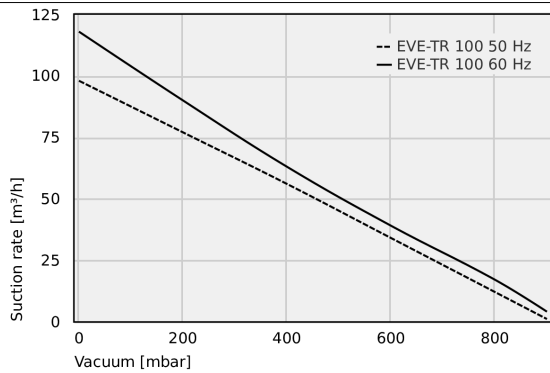
Suction rate from 2 m³/h to 350 m³/h



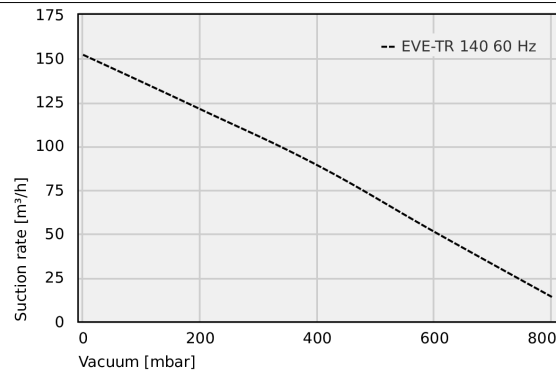
Suction rate at various degrees of evacuation



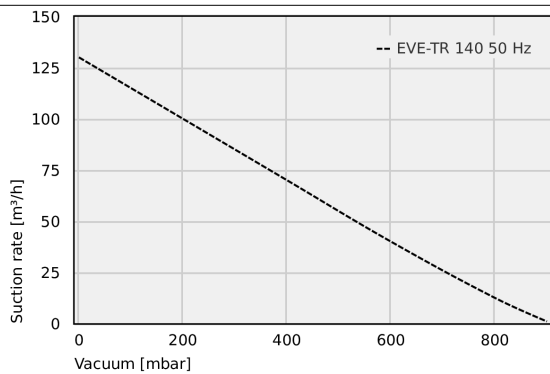
Suction rate at various degrees of evacuation



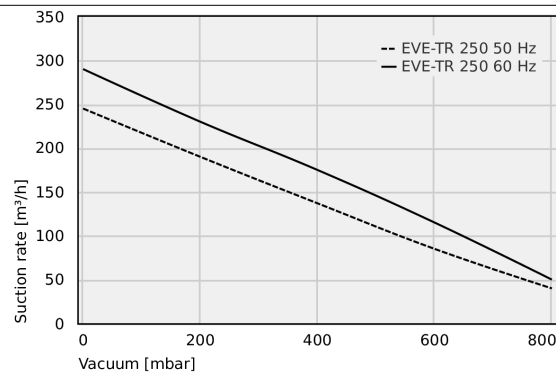
Suction rate at various degrees of evacuation



Suction rate at various degrees of evacuation



Suction rate at various degrees of evacuation



Suction rate at various degrees of evacuation

Suction rate at various degrees of evacuation

Typ	0	100	200	300	400	500	600	700	780
EVE-TR M 2.3	2.35	2.00	1.68	1.35	1.05	0.77	0.50	0.25	0.05

Dry-Running Vacuum Pumps EVE-TR

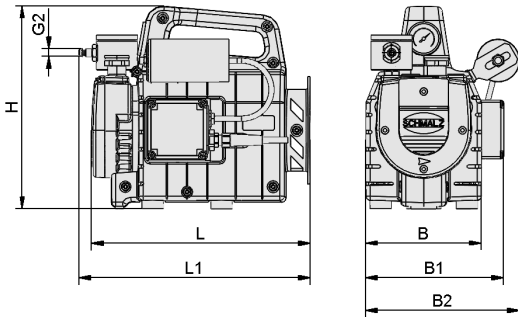
Suction rate from 2 m³/h to 350 m³/h

Typ	0	200	400	600	800	850
EVE-TR 4 50 Hz	4.5	3.35	2.3	1.3	0.3	0.05
EVE-TR 4 60 Hz	4.7	3.7	2.7	1.65	0.6	0.35
Typ	0	200	400	600	800	850
EVE-TR 8 50 Hz	8	6.2	4.5	2.75	1.0	0.65
EVE-TR 8 60 Hz	9.8	7.7	5.45	3.35	1.65	1.3
Typ	0	200	400	600	800	850
EVE-TR 10 50 Hz	10	7.7	5.3	3.1	0.8	0.2
EVE-TR 10 60 Hz	12	9.1	6.3	3.7	0.85	0.25
Typ	0	200	400	600	800	850
EVE-TR 16 50 Hz	16	12	8.2	4.5	1	0.2
EVE-TR 16 60 Hz	18	14.5	10.2	6	1.35	0.35
Typ	0	200	400	600	800	850
EVE-TR 25 50 Hz	25	18.5	12.5	6.8	1.5	0.5
EVE-TR 25 60 Hz	30	23	16	8.7	2.2	0.7
Typ	0	200	400	600	800	850
EVE-TR 40 50 Hz	40	30	20.7	11	1.5	0.2
EVE-TR 40 60 Hz	48	36	25	14.5	2.1	0.5
Typ	0	200	400	600	800	900
EVE-TR 80 50 Hz	68	52	37	23	8.8	2.5
EVE-TR 80 60 Hz	79	61	43.5	28.5	12	3.5
TYP	0	200	400	600	800	900
EVE-TR 100 50 Hz	98	77	56	34	12	1
EVE-TR 100 60 Hz	118	90	63	39	17	4
Typ	0	200	400	600	800	900
EVE-TR 140 60 Hz	152	121	89	51	14	
Typ	0	200	400	600	800	900
EVE-TR 140 50 Hz	130	100	70	40	12.5	1
Typ	0	200	400	600	800	900
EVE-TR 250 50 Hz	245	190	137	85	40	
EVE-TR 250 60 Hz	290	230	175	115	50	

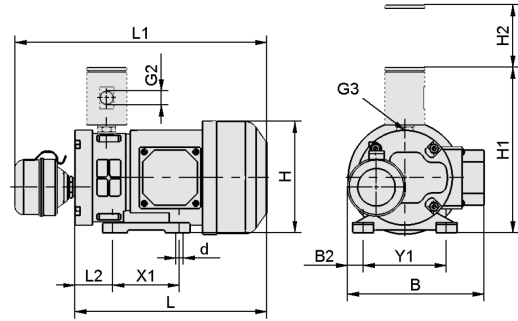
Dry-Running Vacuum Pumps EVE-TR

Suction rate from 2 m³/h to 350 m³/h

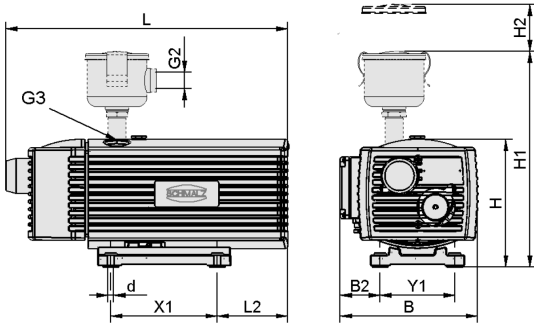
Design data Dry-Running Vacuum Pumps EVE-TR



EVE-TR-T



EVE-TR 8 DC (F)



EVE-TR 10 - 40 (F)

Dry-Running Vacuum Pumps EVE-TR

Suction rate from 2 m³/h to 350 m³/h

Design data Dry-Running Vacuum Pumps EVE-TR

Type				B [mm]	B2 [mm]	d [mm]	G2	G3	G5	H [mm]	H1 [mm]	H2 [mm]	L [mm]	L1 [mm]	L2 [mm]	X1 [mm]	Y1 [mm]	Y2 [mm]
EVE-TR	3	-	-	81	11	-	G1/8"-F	G1/8"-F	M4-F	123	-	-	154	-	-	28	60	-
EVE-TR	3	-	-	82	11	-	G1/8"-F	G1/8"-F	M4-F	123	-	-	154	-	-	28	60	-
EVE-TR	4	AC3	-	155	12	7	-	G1/4"-F	-	148	-	-	222	-	72	80	100	-
EVE-TR	4	AC	F	156	12	7	G1/4"-F	G1/4"-F	-	154	172	41	222	267	72	80	100	-
EVE-TR	4	AC	F	134	178	5	G1/4"-M	-	-	235	-	-	254	269	-	-	-	-
EVE-TR	8	AC	-	116	8	7	-	G3/8"-F	-	157	-	-	251	-	80	80	100	-
EVE-TR	8	AC	F	156	14	7	G3/8"-F	G3/8"-F	-	182	-	62	251	322	82	80	100	-
EVE-TR	8	DC	-	123	12	9	-	G3/8"-F	-	196	-	-	231	-	80	80	100	-
EVE-TR	10	AC3	-	206	60	7	-	G1/2"-F	-	189	-	-	429	-	106	160	112	-
EVE-TR	10	AC3	F	206	60	7	G3/4-F	G1/2"-F	-	189	325	70	429	-	106	160	112	-
EVE-TR	16	AC	-	231	66	7	-	G1/2"-F	-	205	-	-	452	-	73	202	125	-
EVE-TR	16	AC	F	231	66	7	G3/4-F	G1/2"-F	-	214	345	70	452	-	73	202	125	-
EVE-TR	25	AC	-	260	40	7	-	G3/4"-F	-	293	-	-	505	-	96	220	-	-
EVE-TR	25	AC3	-	260	40	7	-	G3/4"-F	-	290	-	-	505	-	96	220	208	-
EVE-TR	25	AC3	F	260	40	7	G3/4"-F	G3/4"-F	-	290	380	70	505	-	96	220	208	-
EVE-TR	40	AC3	-	280	51	7	-	G3/4"-F	-	290	-	-	572	-	131	220	208	-
EVE-TR	40	AC3	F	280	51	7	G1-1/4"-F	G3/4"-F	-	290	425	70	572	-	131	220	208	-
EVE-TR	60	AC3	-	353	46	12	-	G1"-F	M8-F	328	-	-	704	-	96	326	190	95
EVE-TR	60	AC3	F	353	46	12	G1-1/4"-F	G1"-F	M8-F	328	415	75	704	740	96	326	190	95
EVE-TR	80	AC3	-	353	46	12	-	G1"-F	M8-F	328	-	-	704	-	96	326	190	95
EVE-TR	80	AC3	F	353	46	12	G1-1/4"-F	G1"-F	M8-F	328	415	75	704	740	96	326	190	95
EVE-TR	100	AC3	-	470	108	12	-	G1-1/2"-F	M8-F	336	-	-	844	-	140	398	245	123
EVE-TR	100	AC3	F	470	108	12	G1-1/4"-F	G1-1/2"-F	M8-F	336	426	75	844	863	140	398	245	123
EVE-TR	140	AC3	-	470	108	12	-	G1-1/2"-F	M8-F	336	-	-	829	-	140	398	245	123
EVE-TR	140	AC3	F	470	108	12	G1-1/4"-F	G1-1/2"-F	M8-F	336	426	75	829	850	140	398	245	123